

GROVE

ACHSANBAU (10 X 8 X 10) MIT TELMA RETARDER
 AXLE ATTACHMENT (10 X 8 X 10) WITH TELMA RETARDER

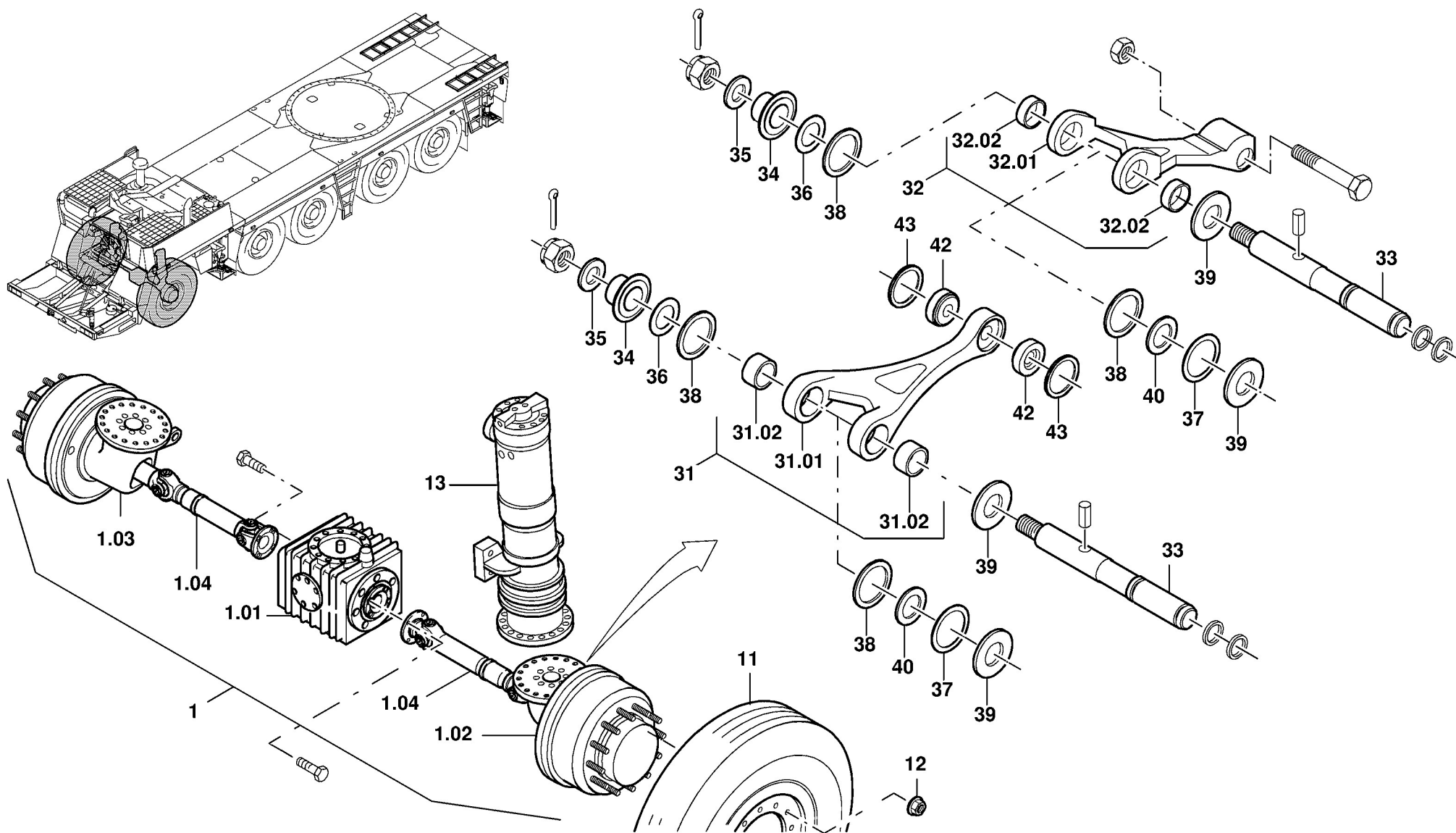
BILDТАFЕL
 PICTORIAL DISPLAY

GMK 5200
 BE 511
 G 061

11.02

3055043-ETL B

1/10



GROVE

ACHSANBAU (10 X 8 X 10) MIT TELMA RETARDER
 AXLE ATTACHMENT (10 X 8 X 10) WITH TELMA RETARDER

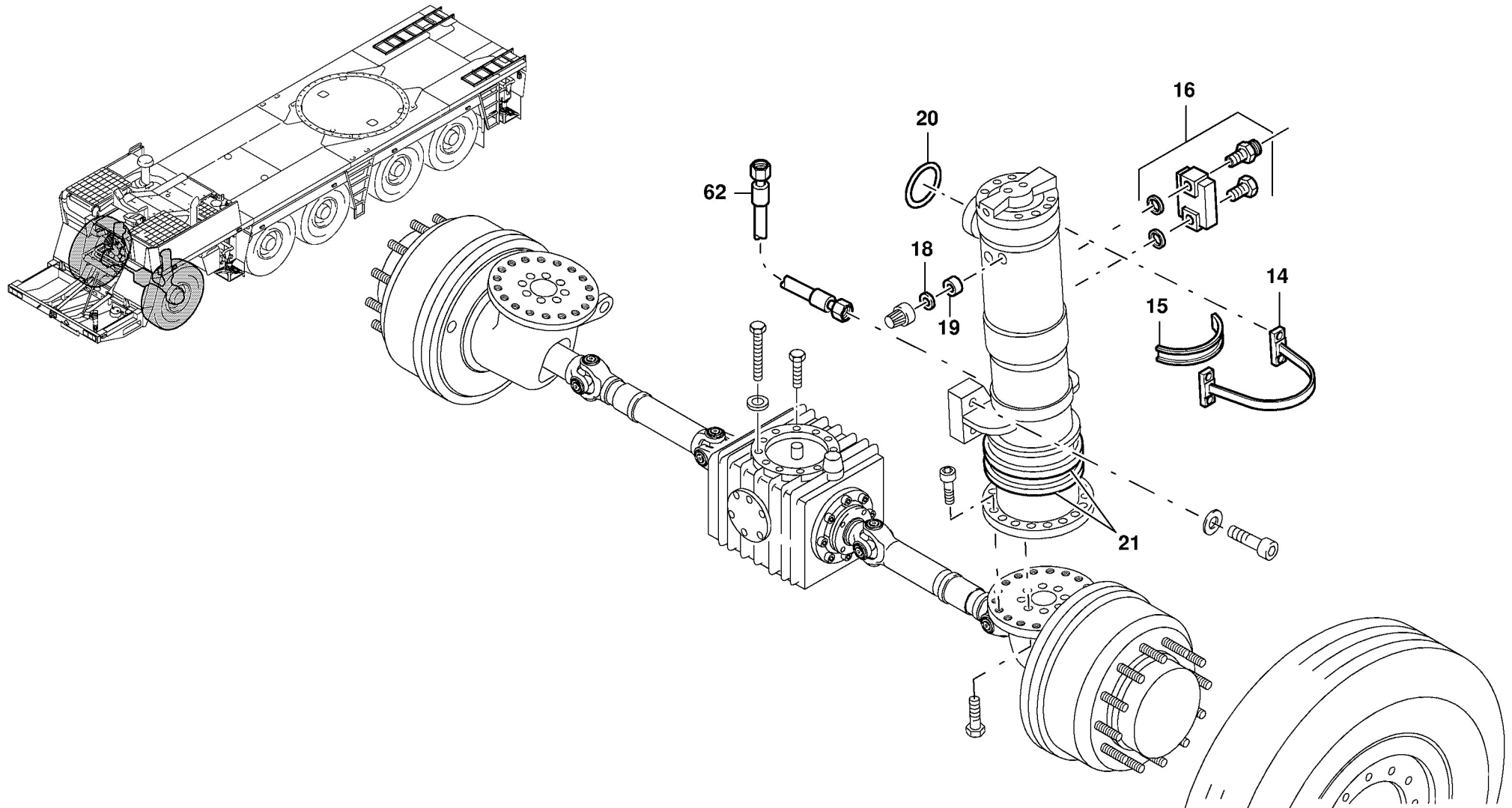
BILDTAFEL
 PICTORIAL DISPLAY

11.02

3055043-ETL B

2/10

GMK 5200
BE 511
G 061



GROVE

ACHSANBAU (10 X 8 X 10) MIT TELMA RETARDER
 AXLE ATTACHMENT (10 X 8 X 10) WITH TELMA RETARDER

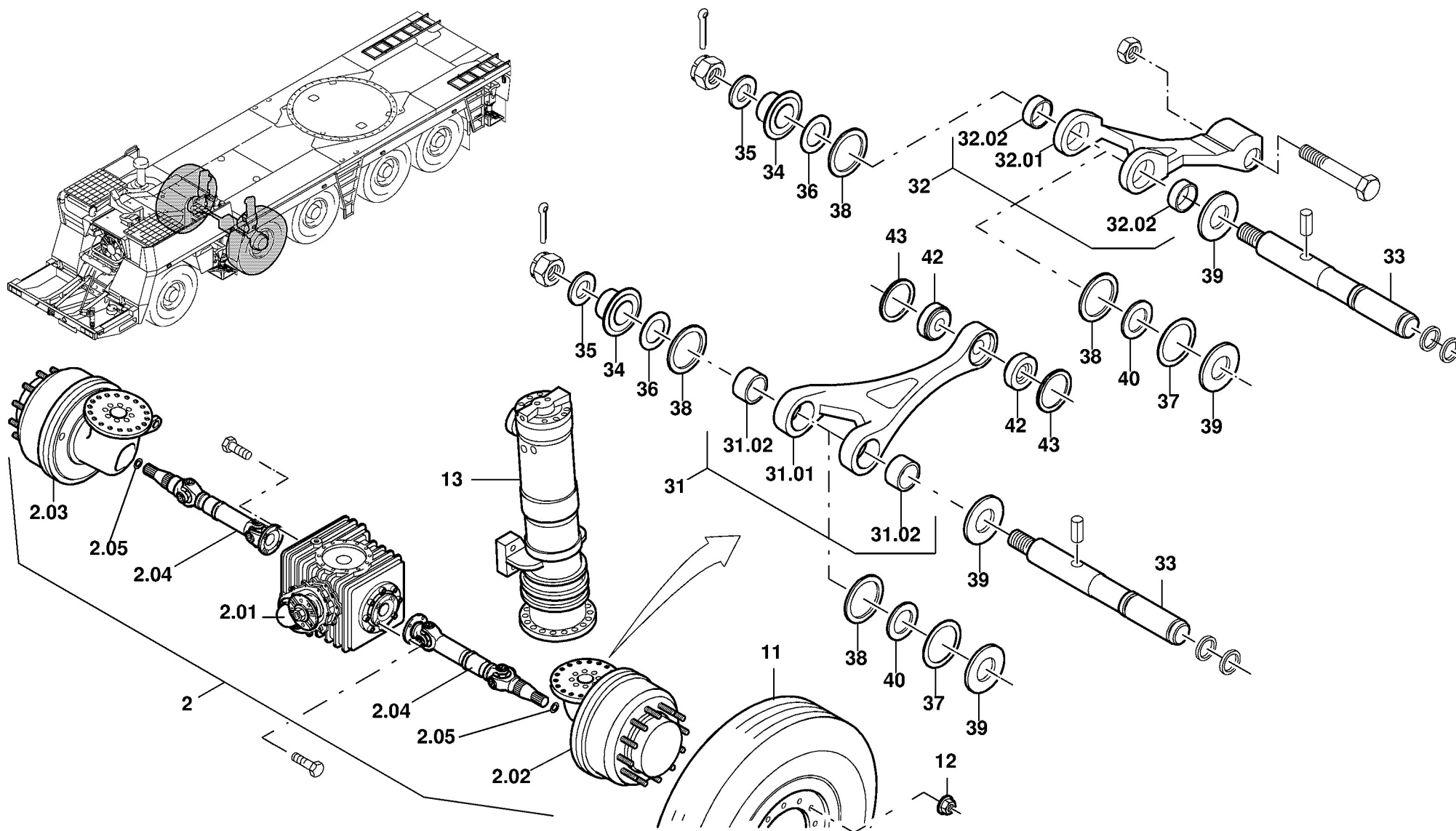
BILDТАFЕL
 PICTORIAL DISPLAY

GMK 5200
 BE 511
 G 061

11.02

3055043-ETL B

3/10



GROVE

ACHSANBAU (10 X 8 X 10) MIT TELMA RETARDER
 AXLE ATTACHMENT (10 X 8 X 10) WITH TELMA RETARDER

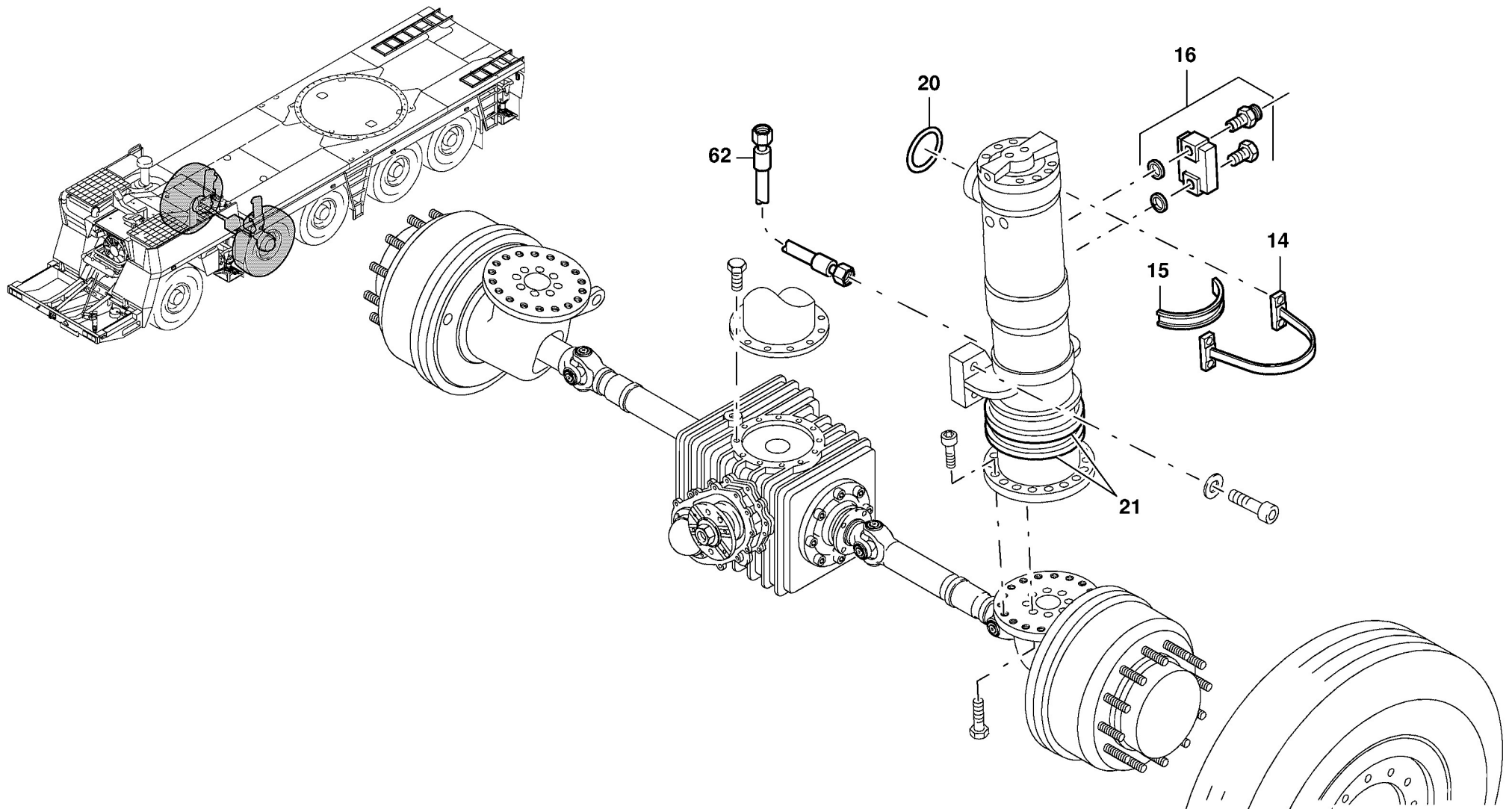
BILDTAFEL
 PICTORIAL DISPLAY

11.02

3055043-ETL B

4/10

GMK 5200
BE 511
G 061



GROVE

ACHSANBAU (10 X 8 X 10) MIT TELMA RETARDER
 AXLE ATTACHMENT (10 X 8 X 10) WITH TELMA RETARDER

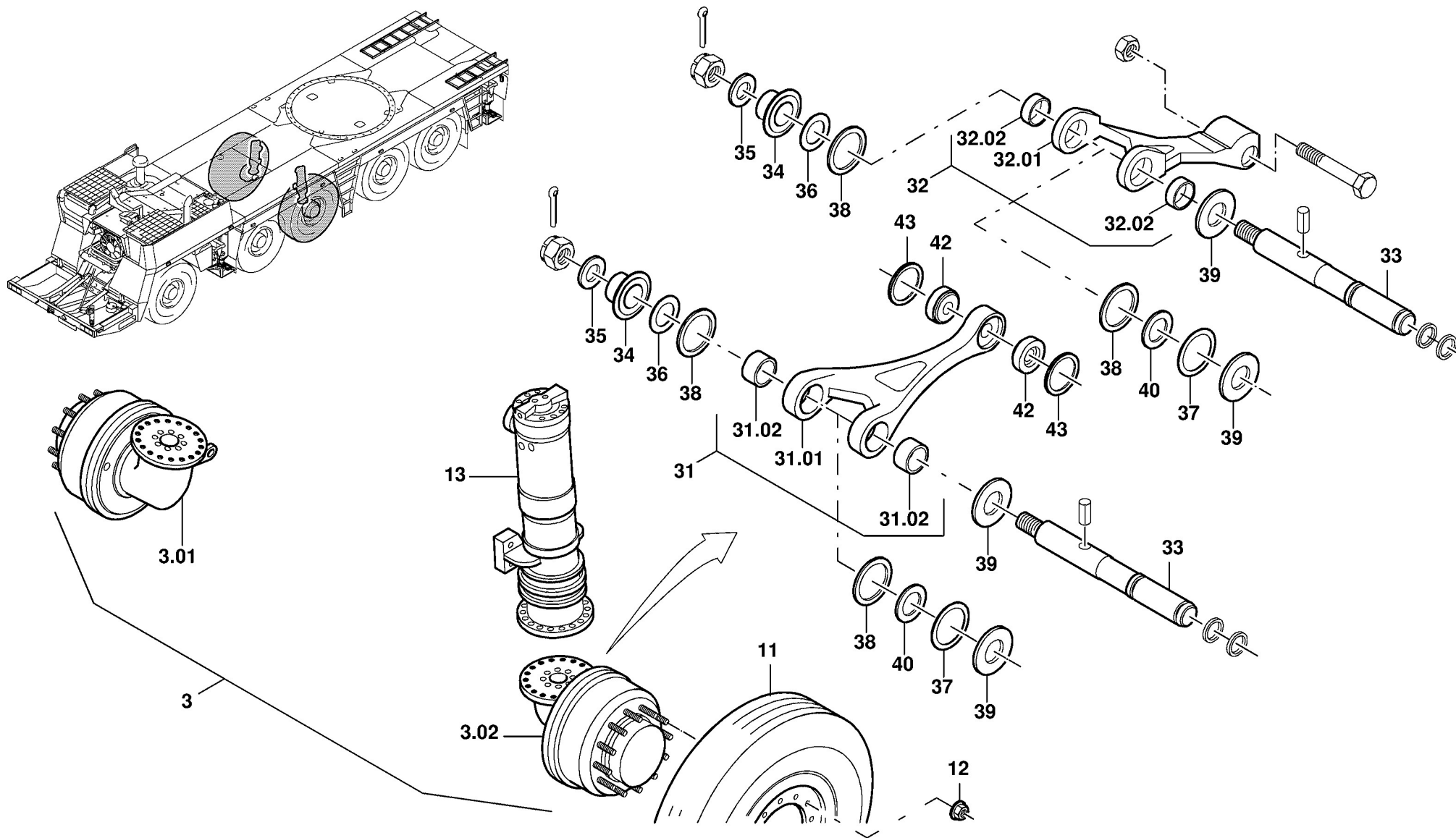
BILDТАFЕL
 PICTORIAL DISPLAY

11.02

3055043-ETL B

5/10

GMK 5200
BE 511
G 061



GROVE

ACHSANBAU (10 X 8 X 10) MIT TELMA RETARDER
 AXLE ATTACHMENT (10 X 8 X 10) WITH TELMA RETARDER

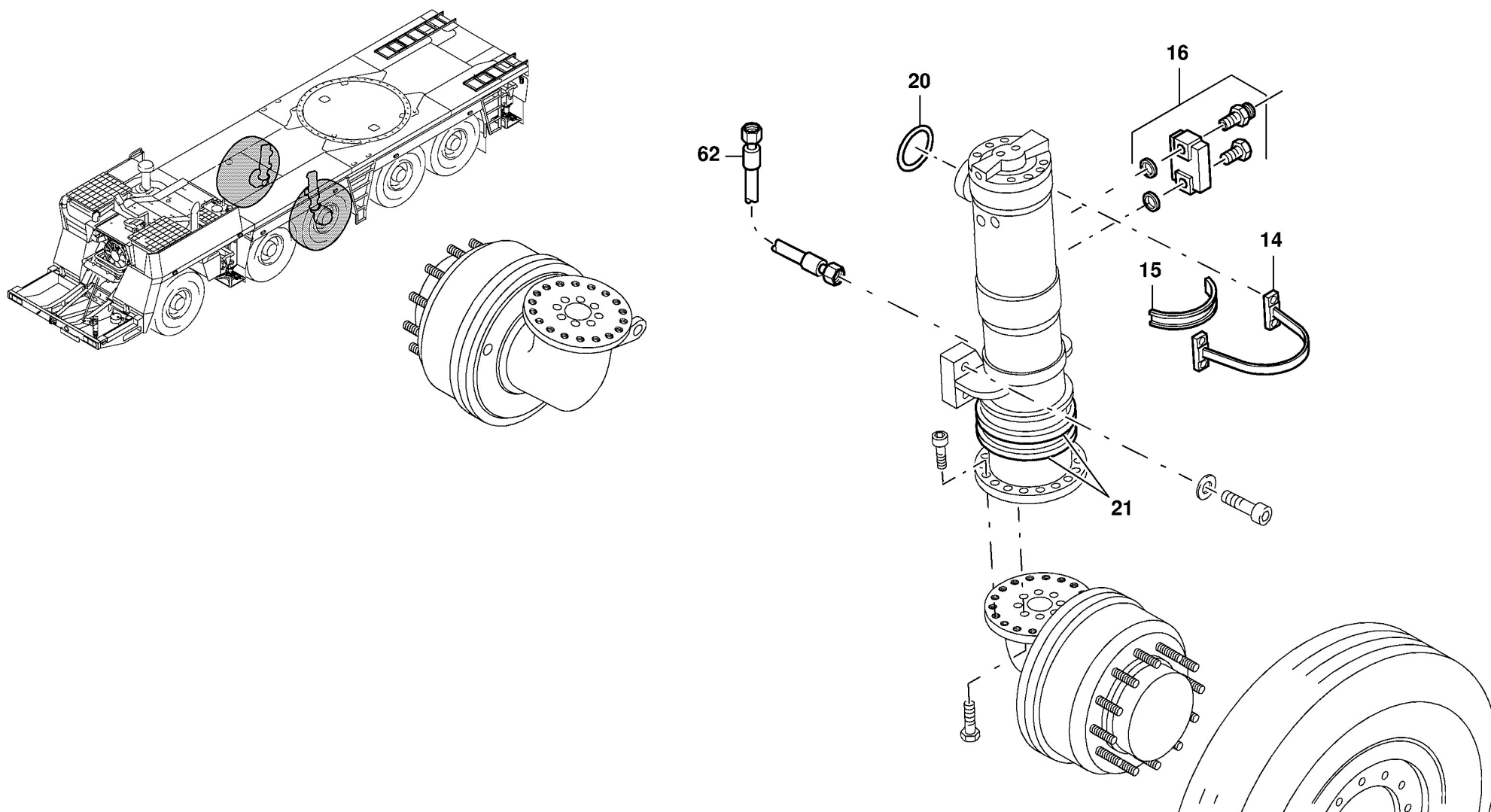
BILDTAFEL
 PICTORIAL DISPLAY

GMK 5200
 BE 511
 G 061

11.02

3055043-ETL B

6/10



GROVE

ACHSANBAU (10 X 8 X 10) MIT TELMA RETARDER
 AXLE ATTACHMENT (10 X 8 X 10) WITH TELMA RETARDER

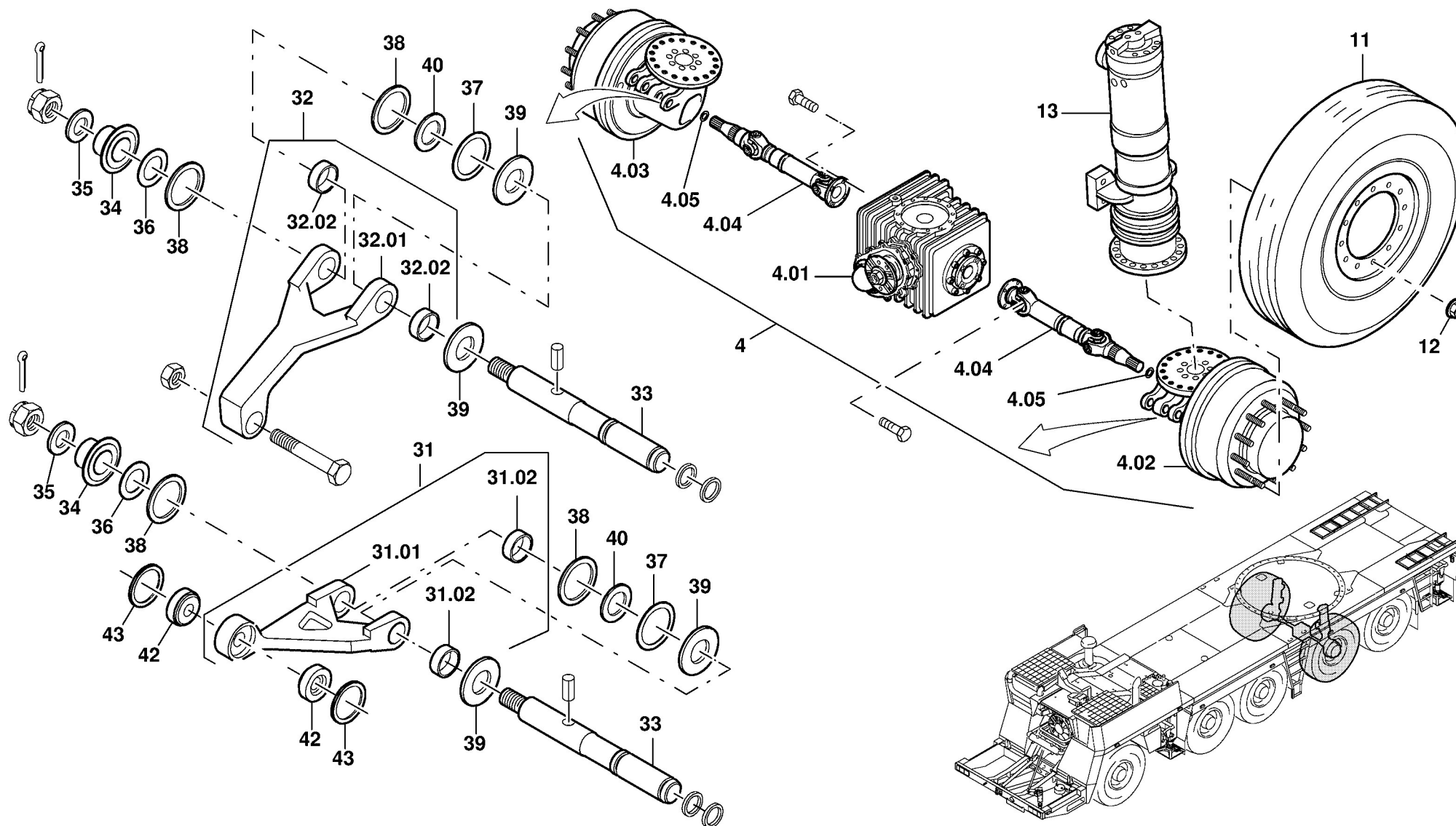
BILDТАFЕL
 PICTORIAL DISPLAY

GMK 5200
 BE 511
 G 061

11.02

3055043-ETL B

7/10



GROVE

ACHSANBAU (10 X 8 X 10) MIT TELMA RETARDER
 AXLE ATTACHMENT (10 X 8 X 10) WITH TELMA RETARDER

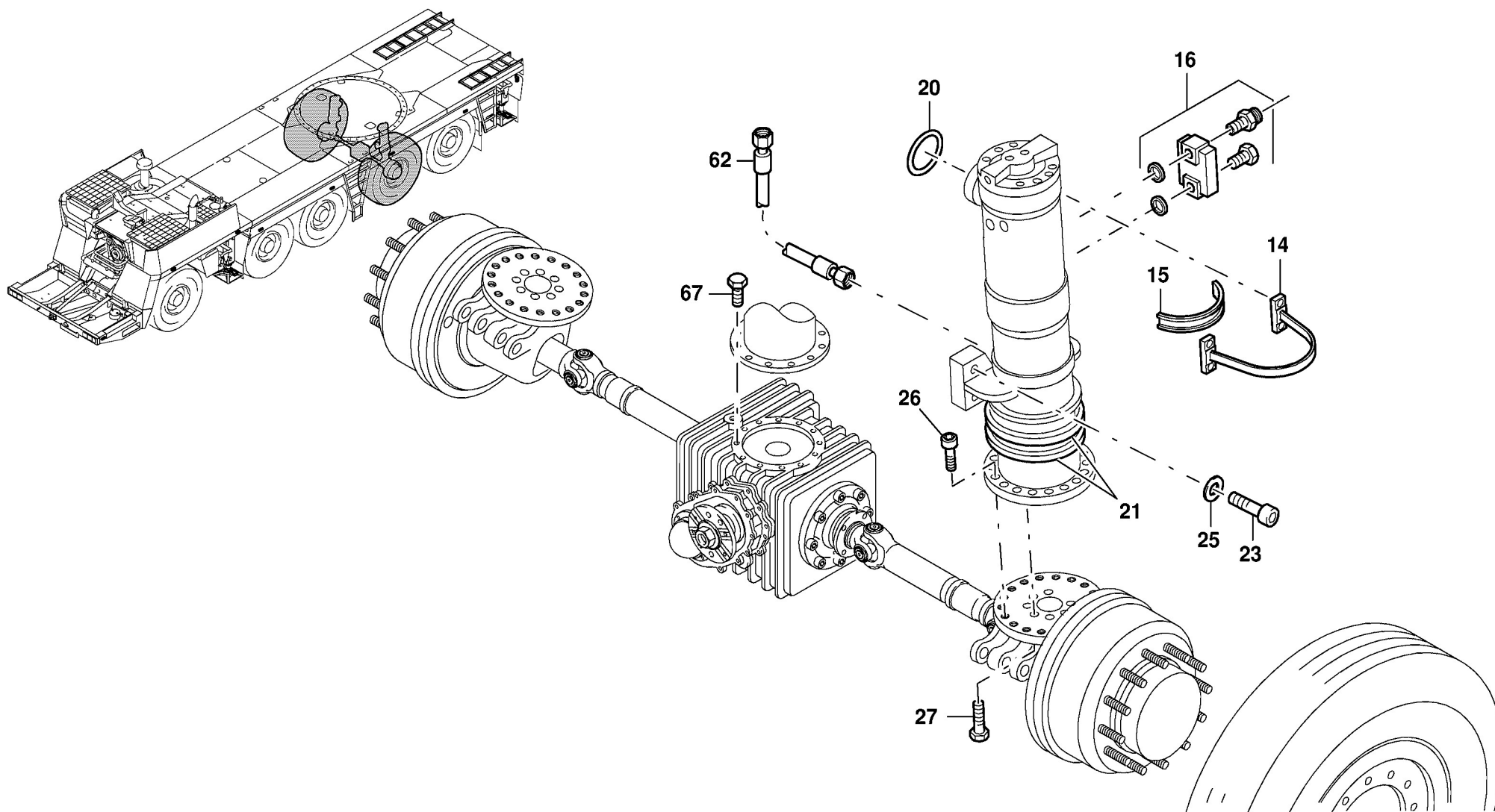
BILDTAFEL
 PICTORIAL DISPLAY

11.02

3055043-ETL B

8/10

GMK 5200
BE 511
G 061



GROVE

ACHSANBAU (10 X 8 X 10) MIT TELMA RETARDER
 AXLE ATTACHMENT (10 X 8 X 10) WITH TELMA RETARDER

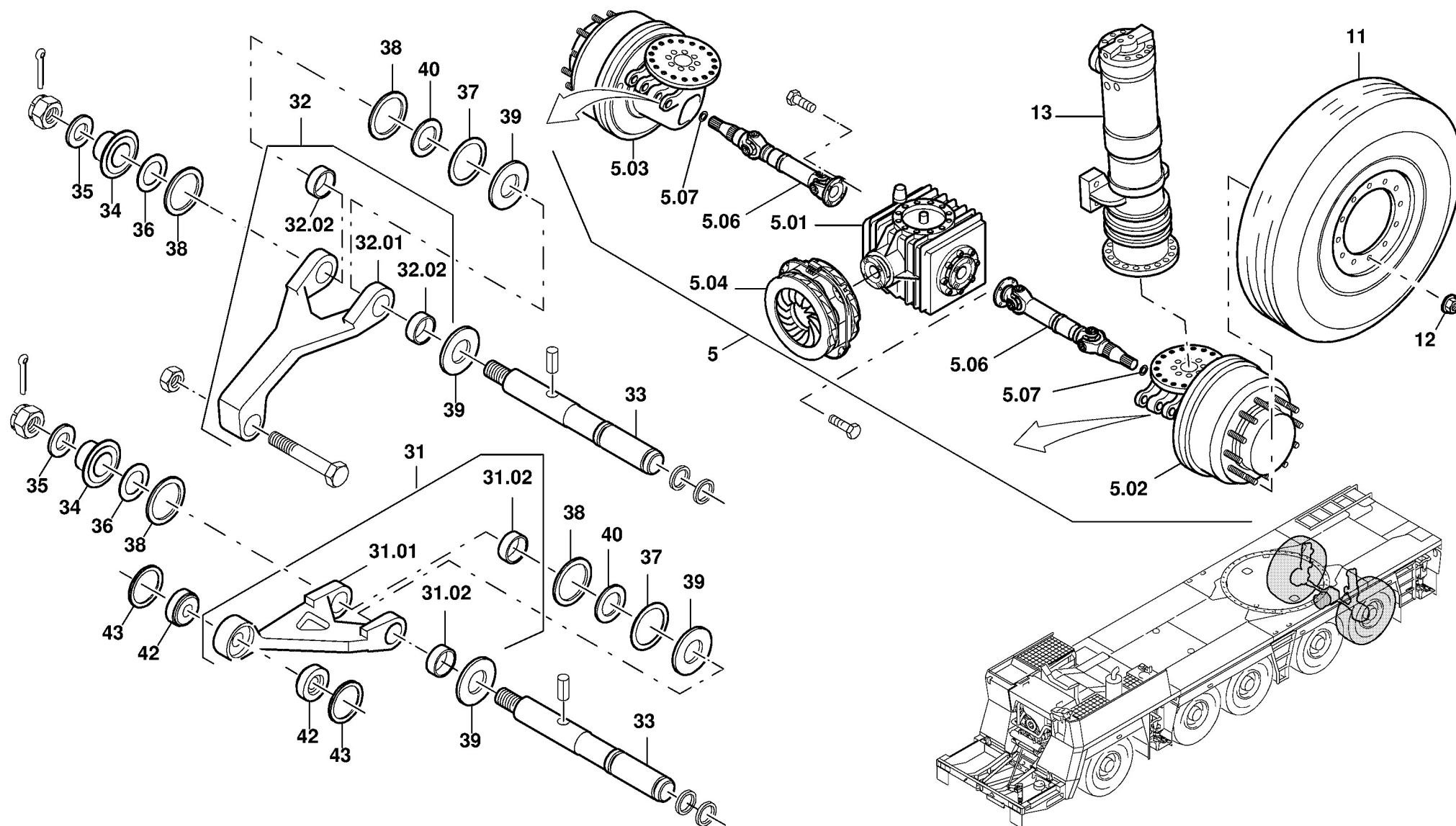
BILDTAFEL
 PICTORIAL DISPLAY

GMK 5200
 BE 511
 G 061

11.02

3055043-ETL B

9/10



GROVE

ACHSANBAU (10 X 8 X 10) MIT TELMA RETARDER
 AXLE ATTACHMENT (10 X 8 X 10) WITH TELMA RETARDER

BILDТАFЕL
 PICTORIAL DISPLAY

11.02

3055043-ETL B

10/10

GMK 5200
BE 511
G 061

